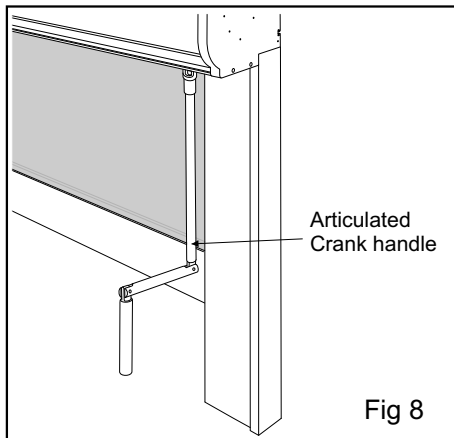


FACE FIXING

To face headboxes use angled brackets supplied, these locate in the same way as top fix and are secured with a locking screw at the front (figure 2). To face fix channels, drill through both front and rear faces with a 5 mm drill, then open out the front face hole with a 9 mm drill to allow access for screw driver and screw head. Screw in place and cover 9 mm access hole with screw cap covers supplied (see figure 7).

WARNING WARNING WARNING WARNING WARNING

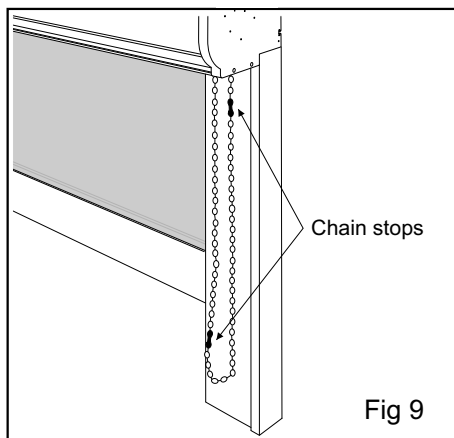
WHEN OPERATING BLACKOUT BLINDS IT IS IMPORTANT THAT WINDOWS REMAIN SHUT AT ALL TIMES, AS AIR PRESSURE WILL FORCE THE FABRIC OUT OF THE CHANNELS AND MAY CAUSE PERMANENT DAMAGE TO COVERS.



OPERATING GUIDE

Models Fitted With Gear Control:

If your blind was supplied with the added security of a detachable crank handle, firstly attach this to the gearbox. To lower the blind turn the Crank Handle in a clockwise direction. To raise the blind turn the Crank Handle in an anti-clockwise direction taking care not to over-wind at the top and bottom.



Models Fitted With Sidewinder Control:

To lower the blind pull the Bead Chain at the back of the Headbox end cap. To raise the blind pull the Bead Chain located at the front of the Headbox end cap, chain stops should be fitted to prevent over-winding at the top and bottom. Always keep chains out of reach of children (see figure 9).

Major Casstyle® cassette fitting instructions

PLEASE READ THESE INSTRUCTIONS BEFORE ATTEMPTING TO FIT YOUR BLIND.



Always Keep Blind Cords High and Out of Reach!

Cords from blinds and curtains can be dangerous to babies and young children.

Home safety charities believe blind cords kill one to two children in the UK each year.

Whether the blind is up or down, always make sure children can not access the cords.
We recommend you always cut or secure them high enough to be out of reach.

MAJOR CASSTYLE CASSETTE FIXING INSTRUCTIONS

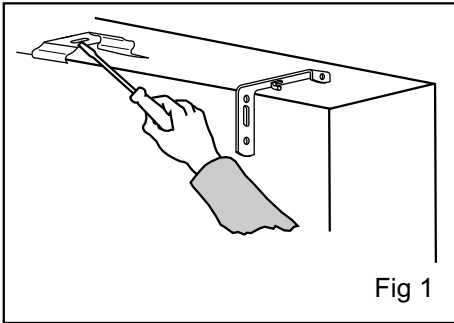
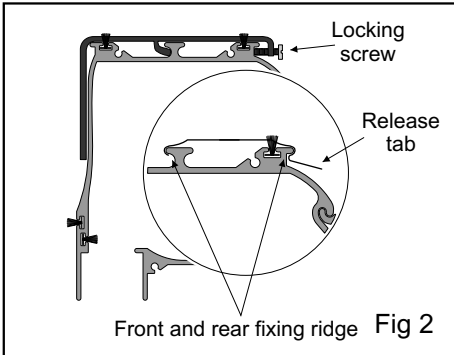


Fig 1

The unique design of the Casstyle Cassette Roller Blind System makes installation a quick and easy process.

To install your blind you will need:

- Drill, Tape measure and Screwdriver.
- Fixing Screws (supplied)
- Rawl plugs (if required)
- Screw cap covers (if required)
- Silicon Sealant (not supplied)



Front and rear fixing ridge Fig 2

CAUTION: USE PROPER EYE PROTECTION WHEN DRILLING MOUNTING HOLES.

NOTE: WIDE BLINDS MAY REQUIRE MORE THAN ONE PERSON TO INSTALL.

RECESS FIXING (Face fixing over page)

Before commencing installation, ensure your fixing surface is firm and level, mark the fixing positions of your brackets. Spring clip brackets should be fitted with releasing tabs facing forwards for top fixing, space them approximately 6cm from each end of the headbox (see figures 1 and 2). If more than two brackets are supplied they should be spaced evenly across the width of the blind.

Before attempting to fit the headbox into the brackets, check that they are secured in a straight line, the elongated fixing hole will allow for adjustment if necessary.

To aid installation it is recommended that the front face of the box is removed during the fitting process, to do this simply slide in the locking collars at each end and hinge cover upwards to remove (see figure 5).

To fix the headbox into position, tilt slightly forward and locate the fixing ridge on the centre of the headbox into rear lip of the brackets, tilt up into the brackets until the front fixing ridge clips into place (see figure 3).

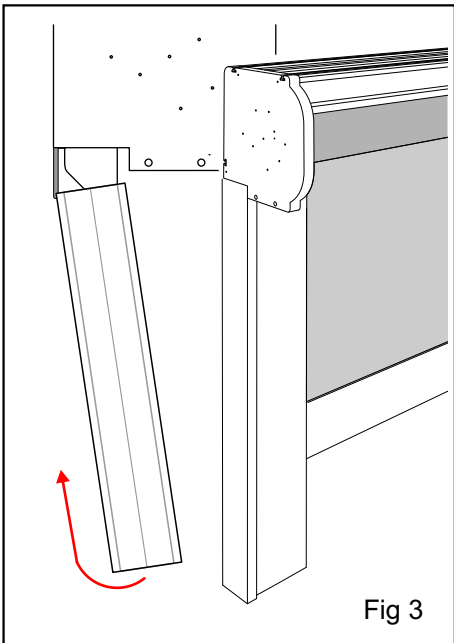


Fig 3

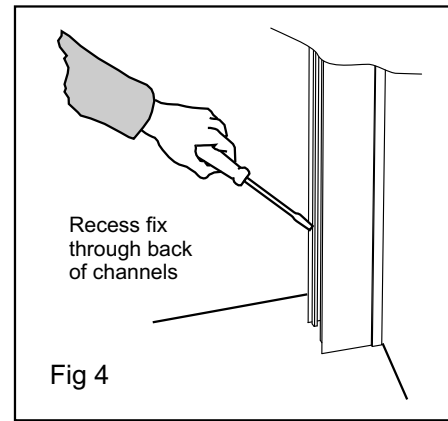


Fig 4

The side channels can now be fitted, slot the top end of either channel over the tongue on the headrail end cap and swing into recess until vertical, repeat for other channel (see figure 4). With channels in place simply drill through the inside and secure within recess with screws and rawl plugs (figure 5).

With the headbox and channels secured the front face can be refitted (if motor limits need adjustment, these will be done now, prior to fitting front face), simply slot the front face into the headbox hinge and swing down into position, then slide both locking collars into end caps to hold in place (see figure 5).

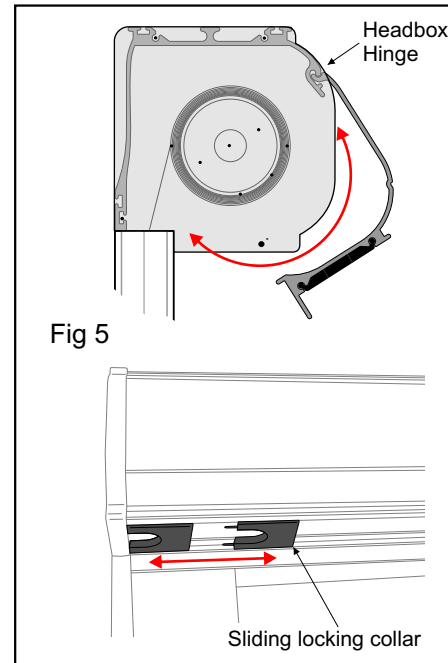


Fig 5

For extra light exclusion a Bottom Channel may of been supplied, this should now be fitted. Simply slide the bottom channel between the two side channels fitted previous, it should protrude about 3 mm into each side. To secure in place repeat the fixing procedure used for the side channels (see figure 6).

With the cassette blind secure in place it should be operated carefully up and down, making sure that the fabric runs smoothly and unhindered, within the channels.

IMPORTANT NOTE FOR TOTAL BLACKOUT

When installing Cassettes to provide Total Light Exclusion it is important to ensure that there are adequate light traps.

Positions where hairline light may appear are:

Between Headbox and Lintel

Between Side Channels and Wall

Between Bottom Channel and Window Sill

To avoid the possibility of light penetration it is suggested that a Silicon or similar sealant is applied along the outer edge of the entire cassette frame.

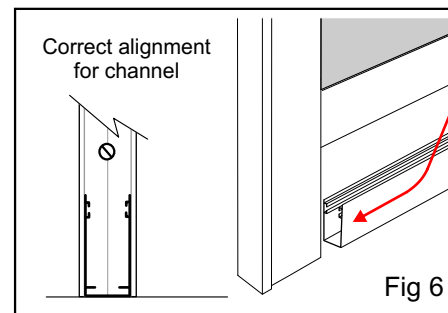


Fig 6