

Midi Casstyle cassette fitting instructions

PLEASE READ THESE INSTRUCTIONS BEFORE ATTEMPTING TO FIT YOUR BLIND.



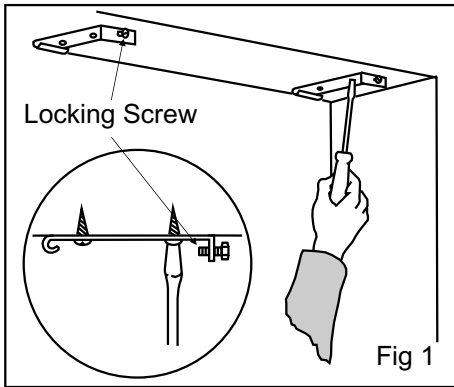
Always Keep Blind Cords High and Out of Reach!

Cords from blinds and curtains can be dangerous to babies and young children.

Home safety charities believe blind cords kill one to two children in the UK each year.

Whether the blind is up or down, always make sure children can not access the cords.
We recommend you always cut or secure them high enough to be out of reach.

MIDI CASSTYLE CASSETTE FIXING INSTRUCTIONS

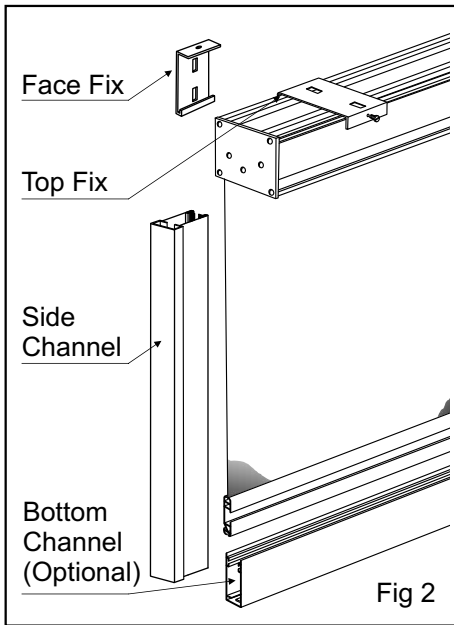


The unique design of the Casstyle Cassette Roller Blind System makes installation a quick and easy process.

To install your blind you will need:

Drill, Tape measure and Screwdriver.

- Fixing Screws (supplied)
- Rawl plugs (if required)
- Screw cap covers (if required)
- Silicon Sealant (not supplied)



CAUTION: USE PROPER EYE PROTECTION WHEN DRILLING MOUNTING HOLES.

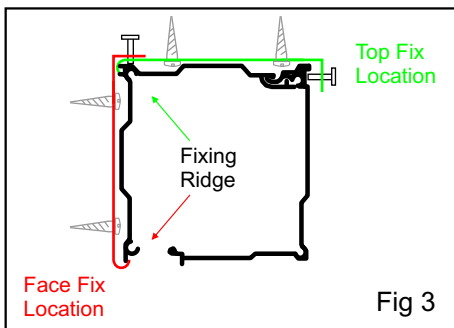
NOTE: WIDE BLINDS MAY REQUIRE MORE THAN ONE PERSON TO INSTALL.

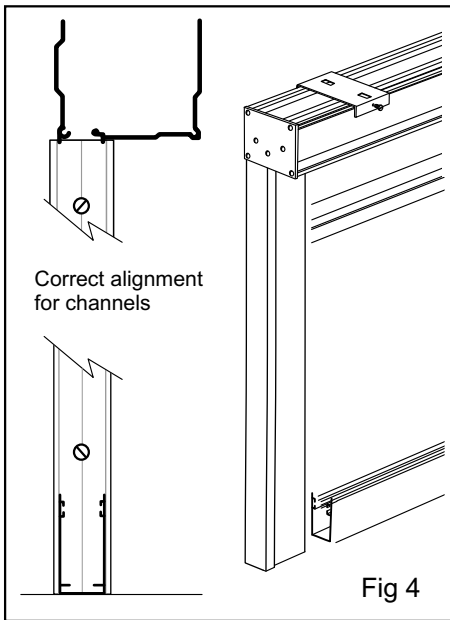
Before commencing installation, ensure your fixing surface is firm and level, mark the fixing positions of your brackets. Brackets should be fitted with locking screws facing forwards for top fixing and facing up for face fixing, space them approximately 6cm from each end of the headbox (see figures 1 and 2). If more than two brackets are supplied they should be spaced evenly across the width of the blind.

Before attempting to fit the headbox into the brackets, check that they are secured in a straight line, the elongated fixing hole allows for adjustment if necessary.

To fit the headbox into position, tilt slightly forward and locate the fixing ridge on the headbox into the lip of the brackets, tilt up into the bracket and secure with the front locking screw (see figure 3).

The side channels can now be fitted, align the top end of the channel with the headbox (see figure 4), and using a spirit level adjust the channel until it is vertical. When recess fixing channels simply drill through the channel and secure with screws, making sure screws are fully tightened so as not to snag the

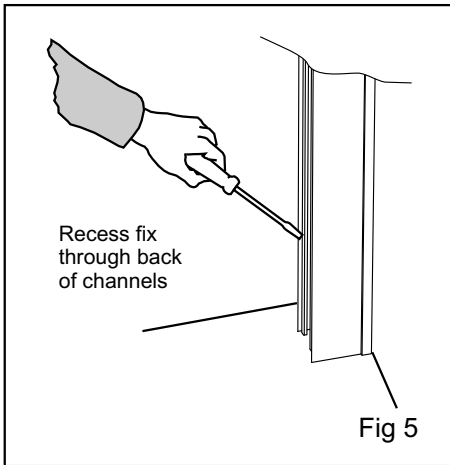




fabric during operation (see figure 5). To face fix channels, drill through both front and rear faces with a 5 mm drill, then open out the front face hole with a 9 mm drill to allow access for screw driver and screw head. Screw in place and cover 9 mm access hole with screw cap covers supplied (see figure 6).

For extra light exclusion a Bottom Channel may of been supplied, this should now be fitted. Simply slide the bottom channel between the two side channels, it should protrude about 3 mm into each side. To secure in place repeat the fixing procedure used for the side channels.

With the cassette blind secure in place it should be operated carefully up and down, making sure that the fabric runs smoothly and unhindered, within the channels.



IMPORTANT NOTE FOR TOTAL BLACKOUT

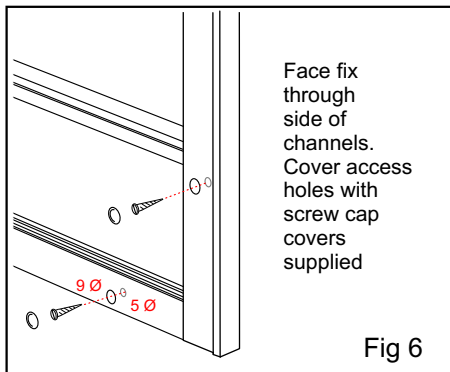
When installing Cassettes to provide Total Light Exclusion it is important to ensure that there are adequate light traps.

Positions where hairline light may appear are:

Between Headbox and Lintel

Between Side Channels and Wall

Between Bottom Channel and Window Sill



To avoid the possibility of light penetration it is suggested that a Silicon or similar sealant is applied along the outer edge of the entire cassette frame.

WARNING WARNING WARNING WARNING

WHEN OPERATING BLACKOUT BLINDS IT IS IMPORTANT THAT WINDOWS REMAIN SHUT AT ALL TIMES, AS AIR PRESSURE WILL FORCE THE FABRIC OUT OF THE CHANNELS AND MAY CAUSE PERMANENT DAMAGE TO COVERS.