

Blinds with Centre Pull Cord

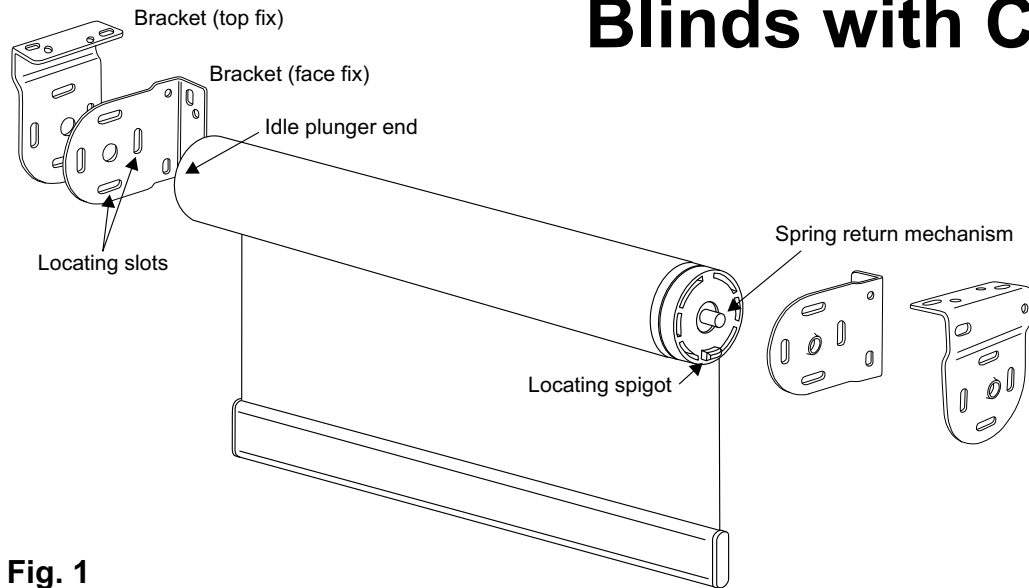


Fig. 1

Fitting the Brackets

Brackets can be fixed to any surface above or behind the blind. Check that the rolled up fabric will not touch any surface. To calculate the spacing between the brackets add 35 mm ($1\frac{3}{8}$ ") to the width of the blind fabric. Fix the brackets so that the outsides of the brackets are this distance apart.

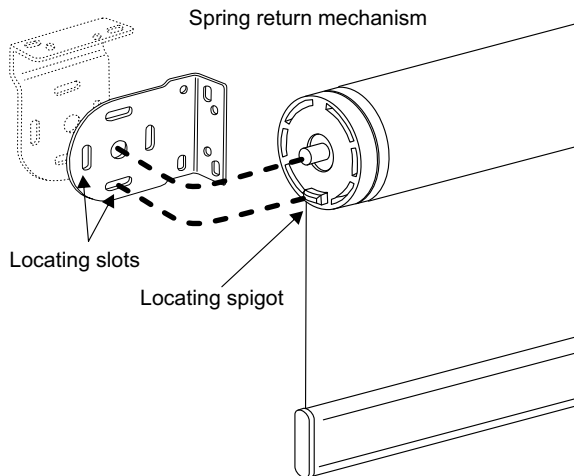


Fig. 2

Fitting the Blind

Make sure that the blind fabric is completely rolled onto the roller. Place the idle plunger end into the relevant bracket and then push the blind into the bracket, depressing the idle plunger. Now clip the blind spring end into the opposite bracket, making sure that the location spigot is located on the lowest slot in the bracket - **This is very important.**

Tensioning the spring

If the fabric does not wind up completely when the blind is operated, greater spring tension can be applied as follows:

- Pull the blind down 250mm (10") from its uppermost position.
- Remove the blind from the brackets and roll the material, by hand, back onto the roller.
- Replace the blind into the brackets.
- In the unlikely event that the tension is still insufficient, repeat steps a) to c)

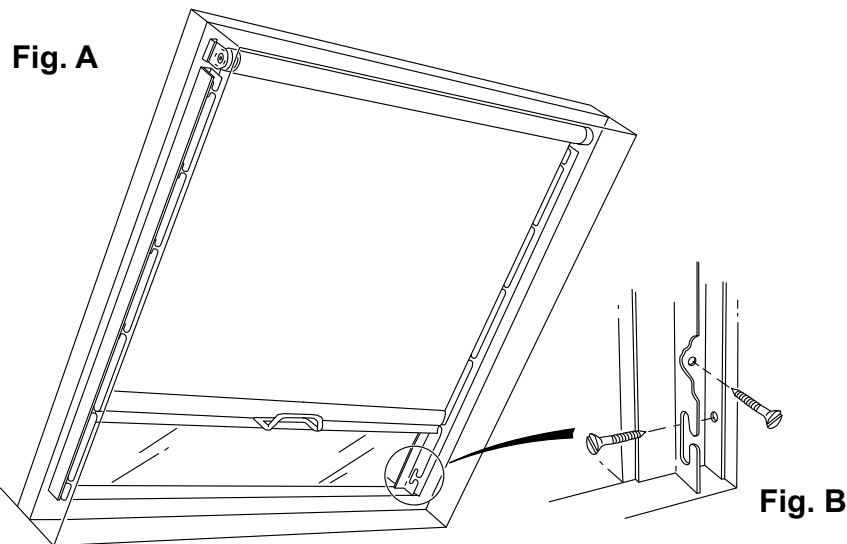
Adjusting the level of the bottom of the Blind

If two blinds are fitted side by side and the bottom cannot be positioned at the same level, the level of the bottom bar of either one of the blinds may be altered as follows:

- With the fabric completely wrapped around the roller, carefully remove the blind from the brackets.
- Take the spring return mechanism (see fig.2) and gently pull it 25mm (1") out of the tube, ensuring that the spring does not uncoil.
- Rotate the mechanism to the next position and replace it in the tube.
- Replace the blind in its brackets ensuring that the locating spigot is located in the lowest slot in the brackets. Adjust the level of the bottom of the blind.
- If necessary re-adjust the same blind, always rotating the mechanism in the same direction as before. This step can be carried out up to four times, giving a total of five positions in all.

Where there are more than two blinds together, adjust the level of the second blind to the level of the first blind, the level of the third blind to the second, the fourth to the third etc, until all of the blinds are aligned.

Blinds with Side Channels



In addition to the blind fixing brackets and screws, your blind will have been supplied with two side channels plus extra wood screws.

Fitting the Side Channels

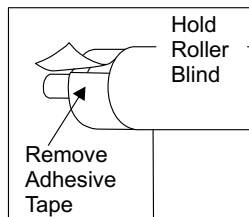
When fitted, the slots should be on the inside -Fig. A

The channels will have been made to suit the vertical drop of the blind ordered. If it is necessary to shorten them, ensure that the sections removed are from the ends which will be nearest the roller when fitted. As the position of the fixing screws can vary for different installations the channel has no pre-drilled holes. We recommend 4mm clearance holes drilled every 100 mm (4") - Fig. B. Note that the holes are to be drilled in one face only.

Fitting the Blind

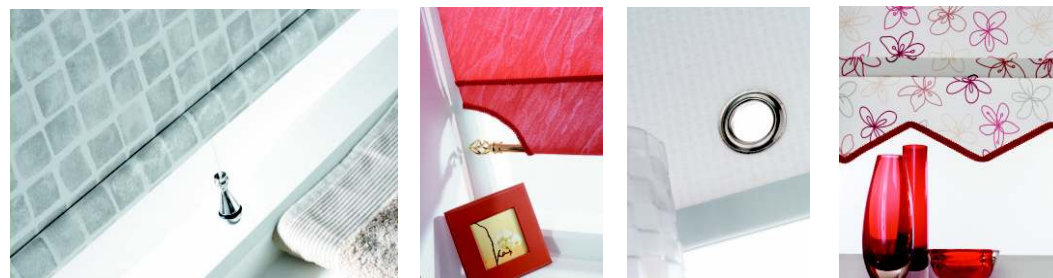
Fit the brackets in the way described for blinds with central pull cords, but in this case the locating spigot must be at the highest point. Before putting the blind into the brackets make sure that the fabrics is fully wound around the roller. Fit the blind into the brackets with the locating spigot located in the **highest** slot in the bracket. This is most important refer to the diagram on page 2 to identify the locating spigot. Remove the adhesive tape wrapped around the end of the roller which is shown in Fig. C. Operate the blind to ensure that the fabric winds completely round the roller when the blind is returned to it's rolled up position. If the blind does not rewind completely pull out the fabric again and re-tape the end of the roller as before. Remove the blind from the brackets and wind the fabric onto the roller. Replace the blind in the brackets and remove tape. Repeat if necessary.

Fig. C



Roller Blind Fitting and Operating Instructions Centre Pull Spring

PLEASE READ THESE INSTRUCTIONS BEFORE ATTEMPTING TO FIT YOUR BLIND.



Always Keep Blind Cords High and Out of Reach!

Cords from blinds and curtains can be dangerous to babies and young children.

Home safety charities believe blind cords kill one to two children in the UK each year.

Whether the blind is up or down, always make sure children can not access the cords.
We recommend you cut or secure them high enough to be out of reach.