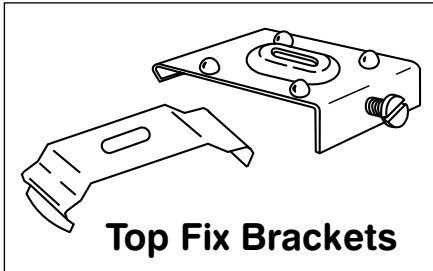


# VERTICAL BLIND FITTING AND CLEANING INSTRUCTIONS

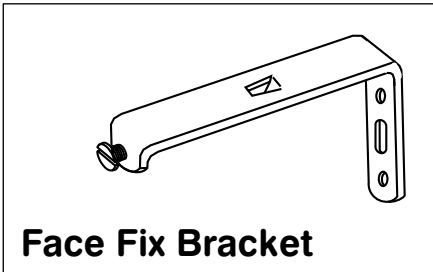
Please read these instructions before attempting to fit your blind

Together along with these instructions will be sufficient brackets and wood screws for fitting your blind.



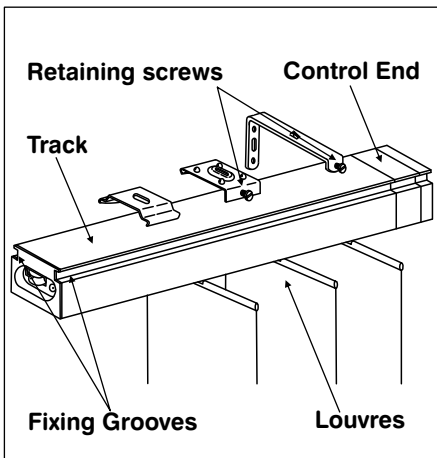
Fix brackets to ceiling or lintel with holes drilled in a line at least 75mm (3") from the wall or window frame for blinds with 127mm (5") louvres, or 50mm (2") for blinds with 89mm (3½") louvres.

End brackets should be about 40mm (1½") from the ends of the track. Any remaining brackets should be spaced evenly between these brackets.



Fix brackets to wall or window frame as closely as possible to the ceiling or lintel, with the same spacing recommended above for top fixing brackets

## FITTING THE TRACK



The track must be fitted into brackets keeping controls to side ordered. Locate the small lip projecting from brackets into groove on track. Push up into brackets. Spring clip brackets will hold your track without further adjustment. If your brackets have retaining screws these should now be tightened into the front slot on the track. (DO NOT OVERTIGHTEN RETAINING SCREWS- This is unnecessary and will damage the track).

Remove packing material from track releasing the cord and chain.

**CORD CONTROL TRAVERSES LOUVRES AND CHAIN ROTATES THEM.**

**NOTE: FOR ELECTRIC OPERATED VERTICAL BLINDS PLEASE SEE SEPARATE INSTRUCTIONS ON 'SETTING UP YOUR *EasyLight* VERTICAL'**