

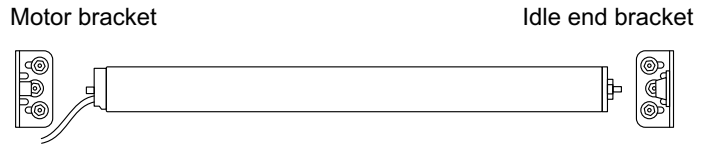
# IMPORTANT INFORMATION REGARDING 240 VOLT TUBULAR MOTOR SWITCH CONNECTION

## PLEASE READ BEFORE ATTEMPTING INSTALLATION

### INSTALLING THE MOTORISED TUBE

Note: Install the motor on the same side as the power supply

- Fit the brackets, but do not tighten them.
- Fit the idle end bracket over the idle end
- Ensure that the tube is horizontal using a spirit level
- Tighten the brackets once it is level

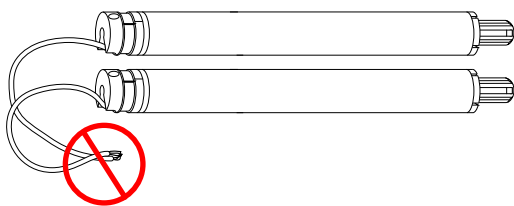
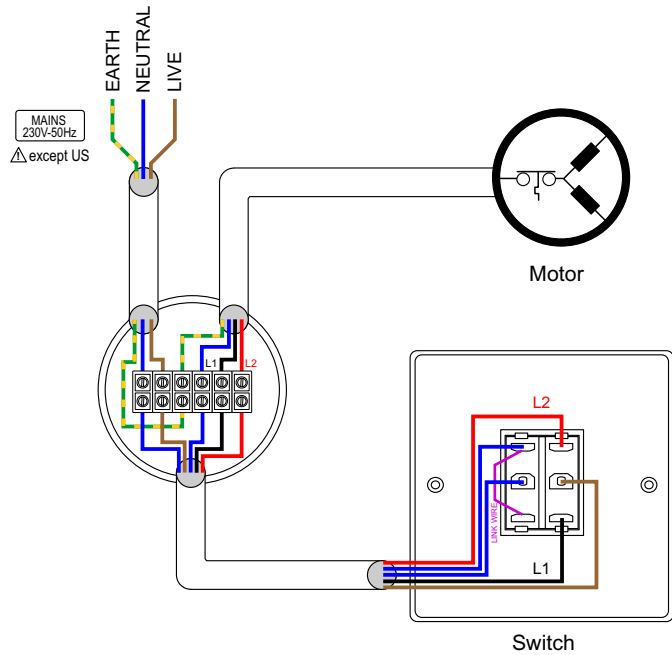


### WIRING RECOMMENDATIONS

The Electrical Supply Regulations act 1988 give an Electricity Board the right to refuse to supply, or continue the supply to a consumers installation which is not safe or which may cause interference with the supply to others.

The Electricity Supply Regulations accept regulations comply with all safety requirements.

All electrical installations are governed by the IEE wiring regulations (16th edition)



### WARNING

**Never wire two or more motors to one switch without using a relay.**

**Do not use light switches.**  
**Do not wire two or more switches to one motor, without using relays approved by manufacturer**

